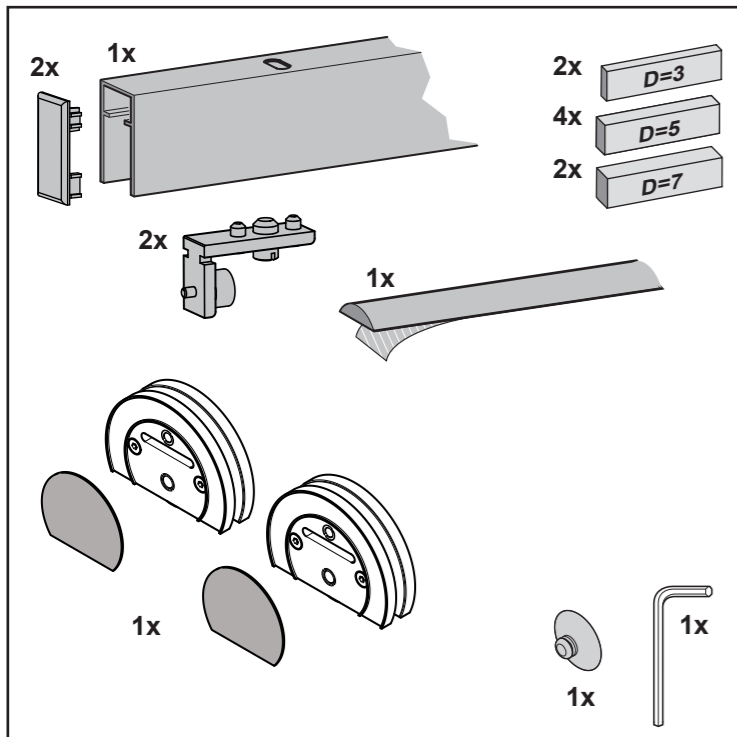
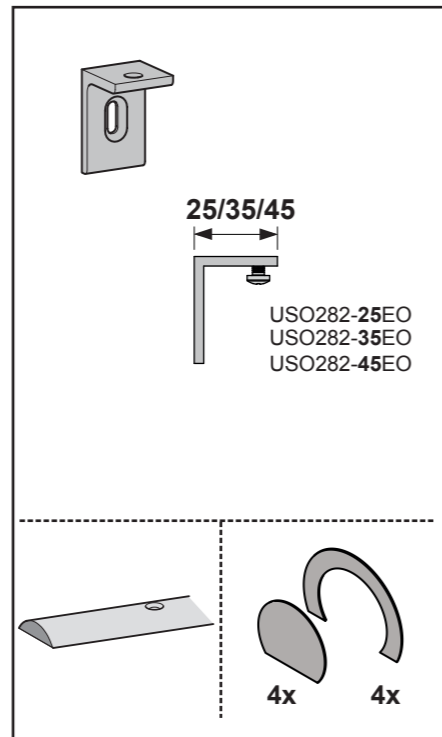


## Complete-set



## Optional



- Attention
- Screw on
- Screw on
- Drill
- Dowels
- Level
- Perpendicular
- Measure
- Mark
- Visual inspection
- Tool
- Tool
- Measure
- Clarify questions
- At right angle
- 2 people required

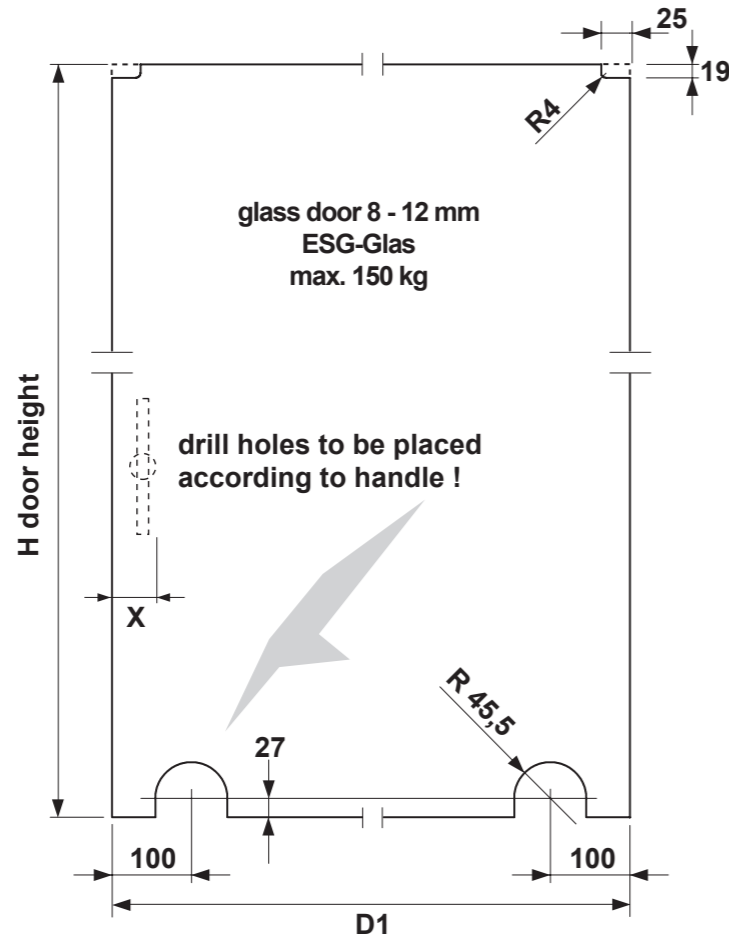
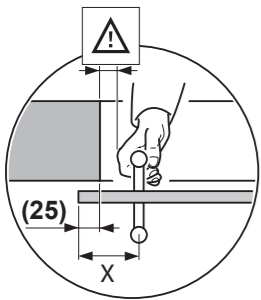
Comply with all general safety regulations when installing the sliding door fittings!

Installation to be completed by qualified licensed contractor.

**Be sure to tighten all screw connections one week after starting to use the sliding door fittings!**

Never use scouring agents to clean the sliding door fittings; rather use commercially available stainless-steel cleaners!

Make door handle clearance so that fingers do not get pinched when the door is used!



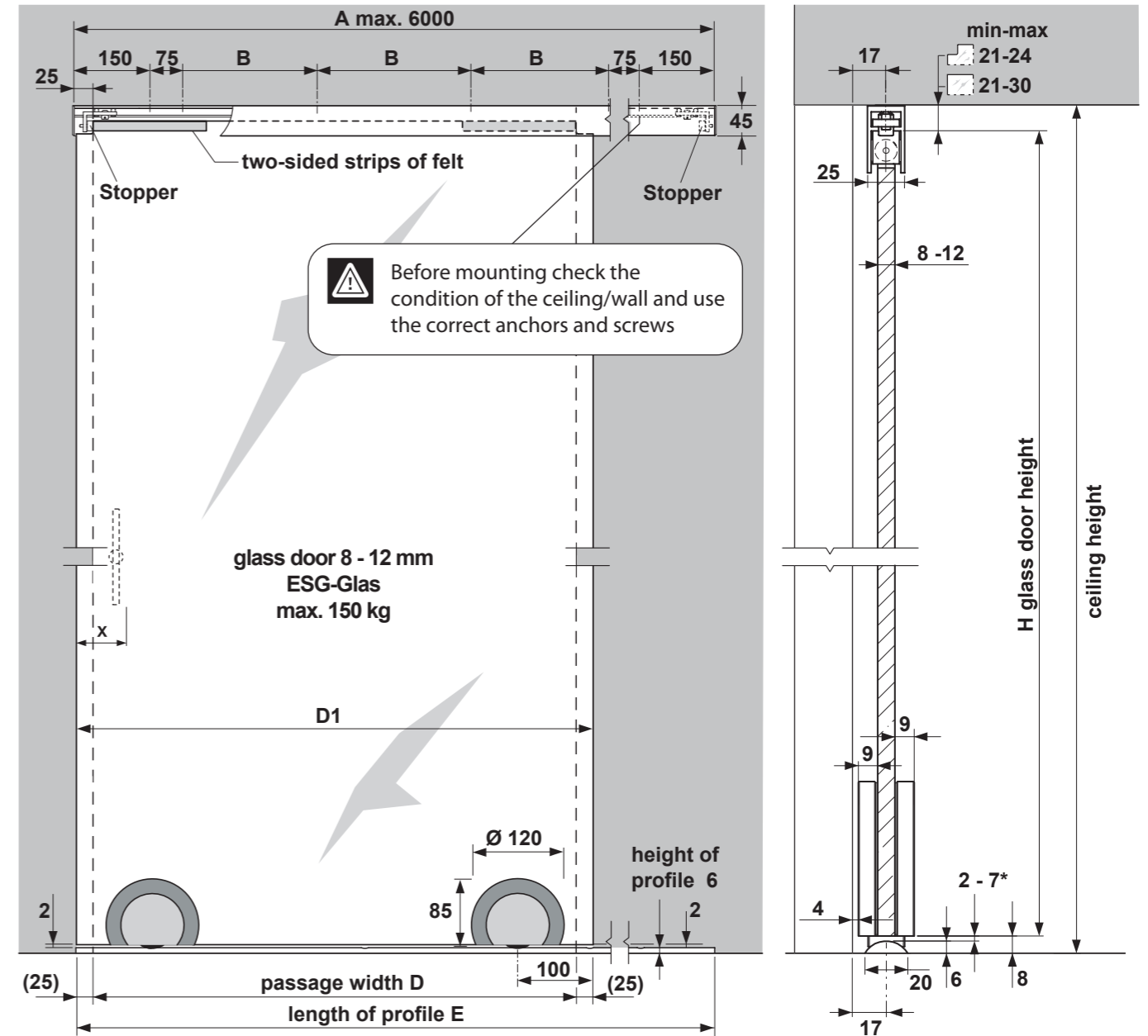
**ABP beyerle**

ABP-Beyerle GmbH

Im Schollengarten 24b, D-76646 Bruchsal (Germany)

Tel. +49-(0) 7257/9127 - 0, Fax +49-(0) 7257/9127 - 29, Email info@abp-beyerle.de, www.abp-beyerle.de

# Installation instructions Silent Glam sliding door fittings Econoline for glass door ( t 8 - 12 mm )



A mm	B mm	D mm	E mm
1900	725	750 - 900	1900
2100	550	910 - 1000	2100
2350	633/634	1010 - 1120	2350
2600	717/716	1130 - 1250	2600

Right to make technical changes reserved - Dimensions in (mm) - Version 03.2015  
© by ABP-Beyerle GmbH

**ABP beyerle**

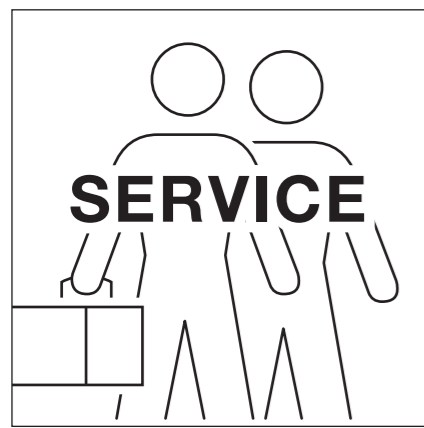


Abb. 1

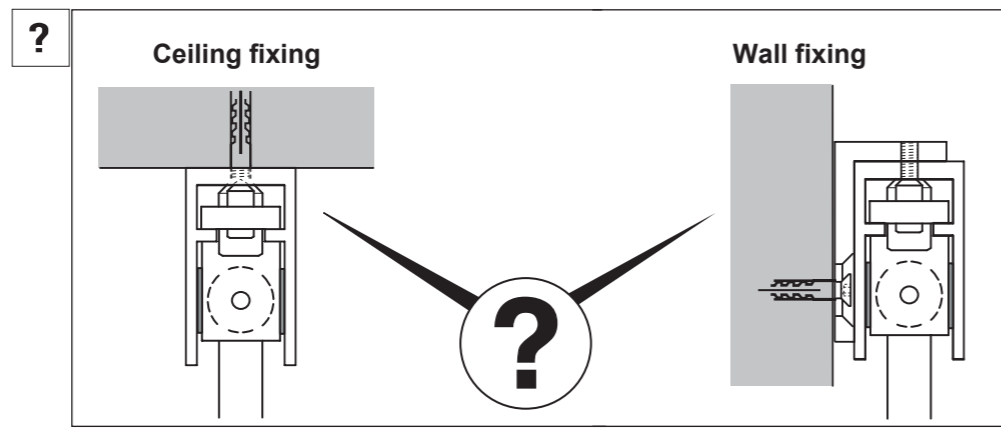


Abb. 2

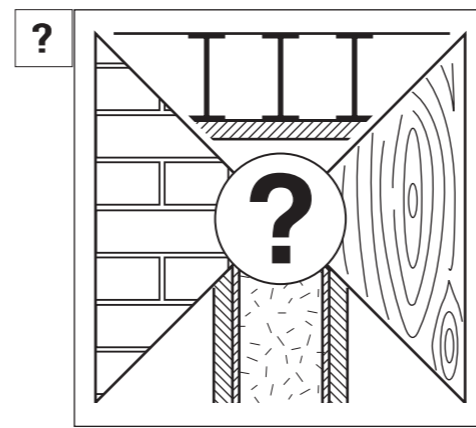


Abb. 3

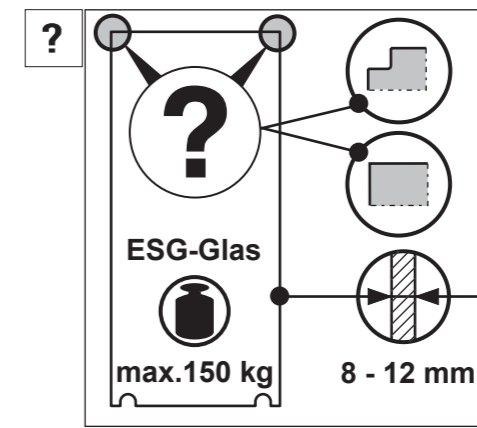


Abb. 4

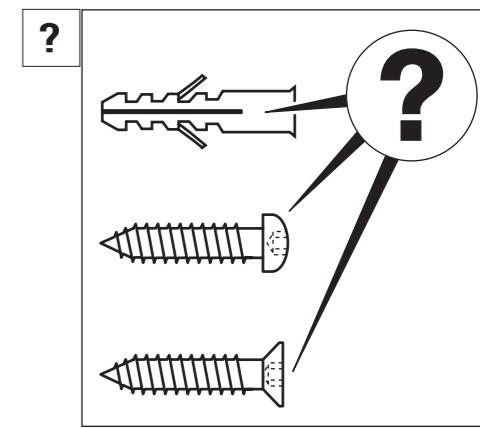


Abb. 5

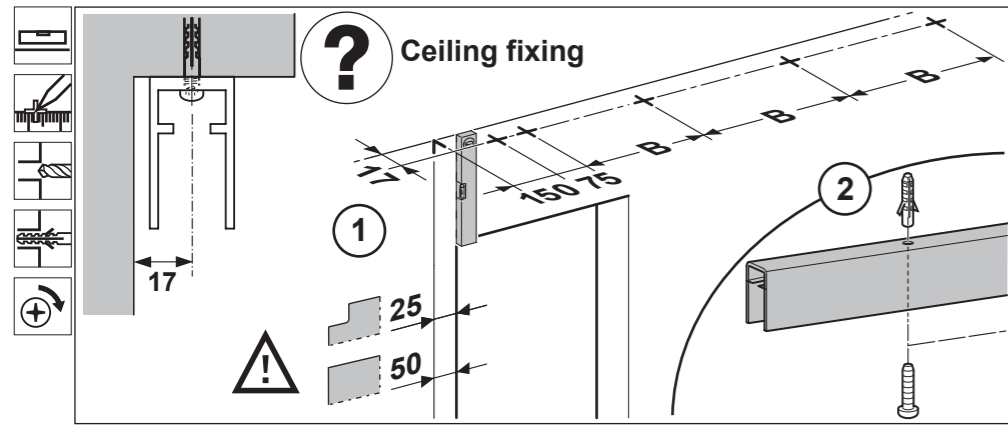


Abb. 6

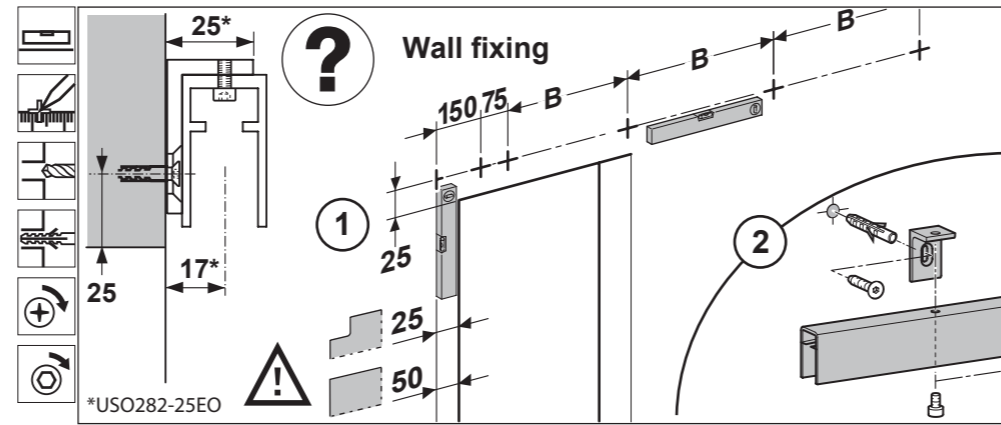


Abb. 7

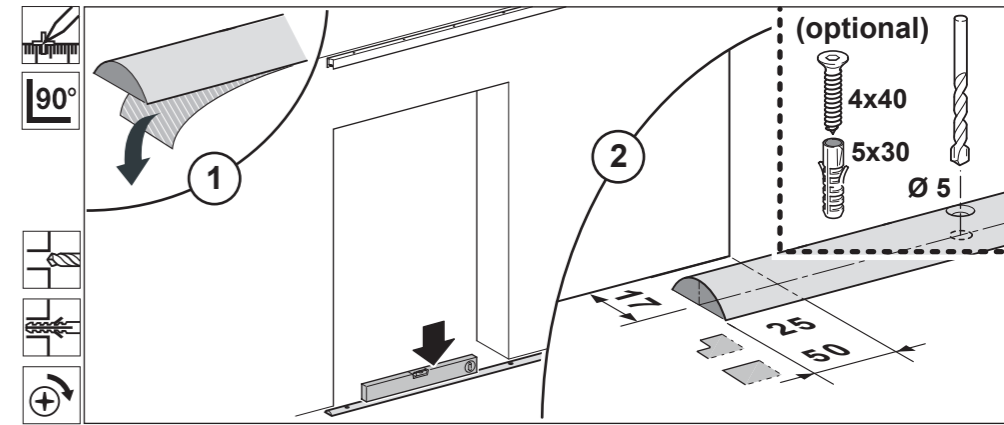


Abb. 8

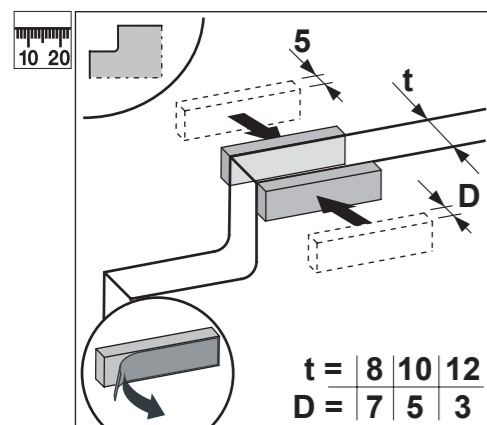


Abb. 9

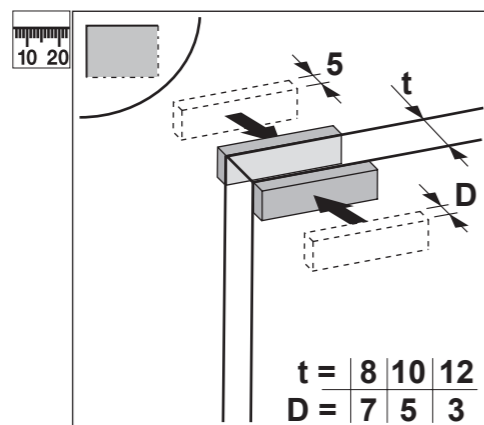


Abb. 10

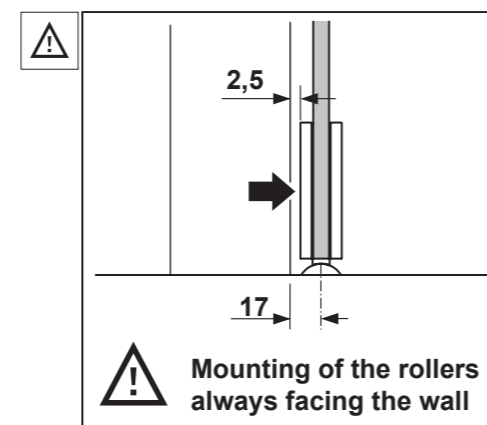


Abb. 11

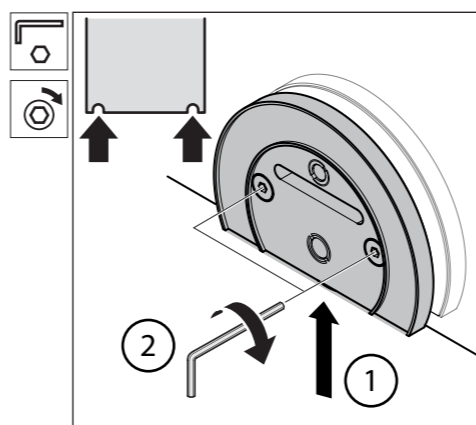


Abb. 12

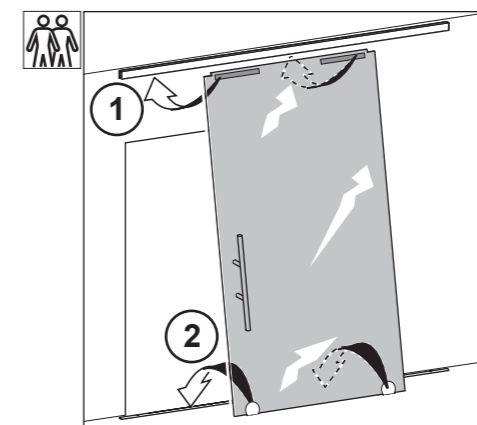


Abb. 13

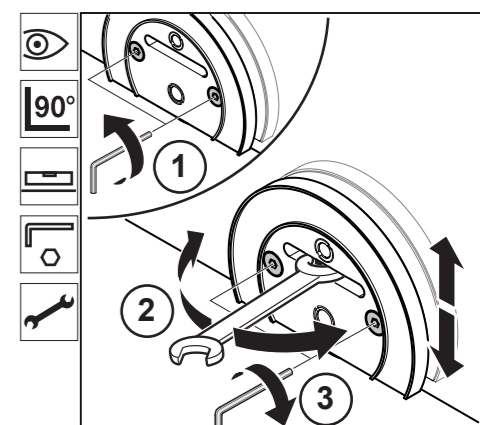


Abb. 14

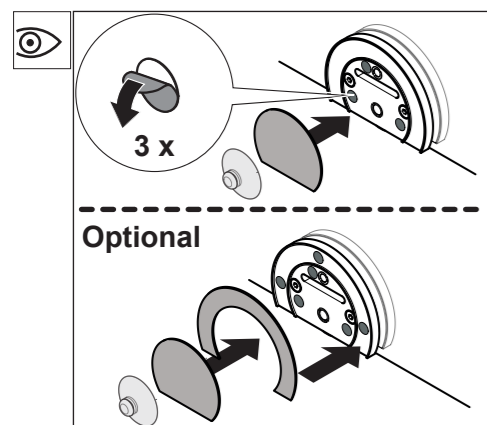


Abb. 15

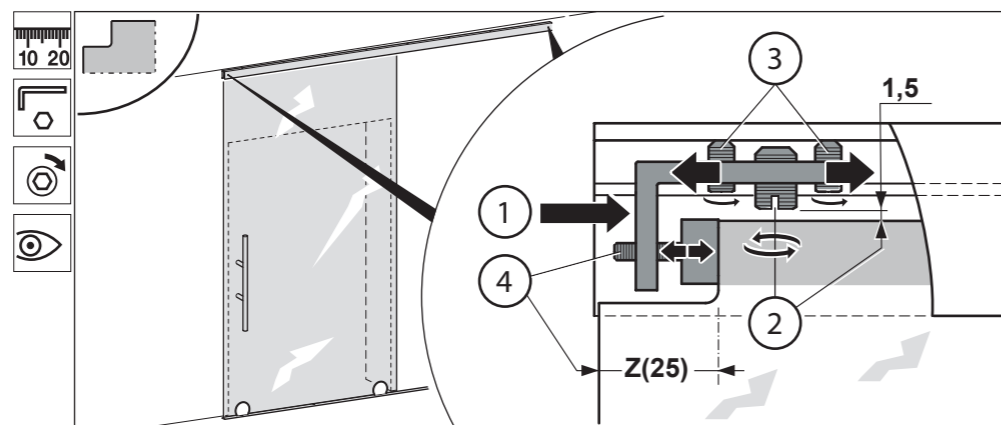


Abb. 16

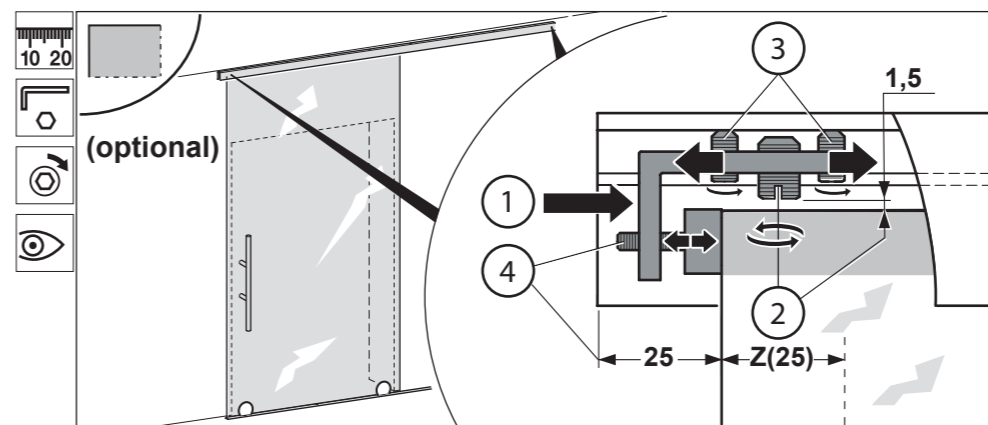


Abb. 17

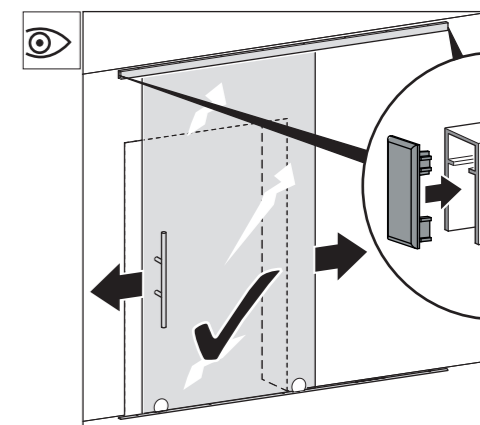


Abb. 18